

Assembly Instructions and User Manual DIN EN 1004-2

Mobile scaffold tower in accordance with EN 1004-1 • Version 1.0 © 2022 KRAUSE-Werk

ClimTec® Scaffold Tower

GB Table of Contents

1. General	36
1.1 Owner's responsibilities	36
1.2 Manufacturer	36
1.3 Applicable standards.....	36
1.4 Warranty	36
1.5 Intellectual property rights	36
1.6 Publication date.....	36
2. Product information	37
2.1 Intended use	37
2.2 Improper use	37
3. Safety instructions	37
3.1 Applicable regulations.....	37
3.2 Safety instructions for assembly and use	37
3.3 Safety instructions for moving the ClimTec®.....	38
3.4 Inspection to be performed after moving ClimTec® or changing its configuration	38
4. Assembly	38
4.1 General.....	38
4.2 Assembling the basic scaffold	39
4.3 Basic scaffold with 1 extra level, 5 metre working height	41
4.4 Basic scaffold with 1 and 2 extra platform(s), 7 metre working height	48
4.5 Setting up the ClimTec® on stairs	56
4.6 Attaching ballast to the ClimTec®	60
4.7 Fitting the outriggers (accessory)	60
4.8 Attaching the ClimTec® to a wall	64
4.9 Labelling after assembly	64
4.10 Accessories	65
5. Disassembling ClimTec®	66
6. Technical data	66
7. Inspection, spare parts	66
8. General safety information	643

The information presented in this document is subject to changes, printing errors and omissions.
 EXTRAS and work equipment are not included with the scaffold tower! • We do not accept any liability for improper
 use of the scaffold tower. • Only use original KRAUSE spare parts.

1. General

These Assembly Instructions and this User Manual ("Manual" hereinafter) describes how to assemble and use ClimTec®. It also contains important safety information. For this reason, please read this manual and the safety instructions carefully before use.

ClimTec® is a modular scaffold tower and can be complemented with a number of different accessories. This manual describes all of the modules, including optionally available accessories that are not included with the scaffold tower.

However, for safety reasons, the system will need to be fitted with some of these extra parts (e.g. ballast weights) when used in certain situations. Hence, please read all of the information about the different accessories in this manual in order to gain an understanding of when they are required. ClimTec® can be turned into a mobile scaffold tower by fitting it with a set of castors, which are also optionally available. Please take note of the additional safety information for using castors.

Please contact your supplier if you have any other questions about assembly, disassembling or using ClimTec®.

We reserve the right to make technical changes to ClimTec®.

We do not accept any liability for any printing errors in these Assembly Instructions and User Manual.

1.1 Owner's responsibilities

The owner of the ClimTec® is responsible for ensuring:

- That these Assembly Instructions and User Manual are available to personnel at the site of use.
- That the ClimTec® will only be used as set out in this manual and without making any modifications.
- That the ClimTec® is suitable for the work at hand.
- That operating personnel are familiar with the contents, safety instructions and hazard information set out in this manual and comply with and follow the instructions given.
- Compliance with national, regional and local regulations concerning the use of the ClimTec®.
- That personnel do not just receive practical training in the use of this tower, but have also read and understood these Assembly Instructions and User Manual.
- The provision of practical training in the use of this tower that may be mandatory in some countries.
- That that the ClimTec® is only used as intended.

1.2 Manufacturer

The manufacturer of the ClimTec® described in this manual is:

KRAUSE-Werk GmbH & Co. KG | Am Kreuzweg 3 | D 36304 Alsfeld | Germany

Telefon: +49 (0) 6631 / 795-0

Telefax: +49 (0) 6631 / 795-139

<http://www.krause-systems.com>



1.3 Applicable standards

ClimTec® complies with EN 1004-1. The ClimTec®'s stability and components' design have been verified as conforming to the requirements of this standard by means of structural calculations. ClimTec® has been safety-tested and certified by TÜV SÜD.

1.4 Warranty

The exact wording of the warranty is laid out in the supplier's Terms and Conditions. The manufacturer provides a 5-year warranty from the purchase date for material defects on components. The manufacturer reserves the right to replace or repair any defective components at his discretion.

Any warranty claims arising in connection with the documentation will be assessed on the basis of the Assembly Instructions and User Manual valid on the date of sale. The warranty does not apply to any damage caused by any or a combination of the following:

- Failure to read or non-observance of the Assembly Instructions and User Manual, in particular the safety instructions, information on intended and improper use, information on maintenance and servicing, and the assembly and disassembly instructions.
- Inadequately qualified or informed operating personnel.
- Use of non-original spare parts and/or accessories
- Use of damaged, defective or incorrect components
- Increasing the scaffold's working height through the use of ladders, crates or other equipment.

1.5 Intellectual property rights

The manufacturer owns all of the intellectual property rights relating to the Assembly Instructions and User Manual. These Assembly Instructions and User Manual may only be copied, including parts thereof, with the manufacturer's consent. The manufacturer reserves all rights to patents and utility model registrations. Any breach of the above will be penalised.

1.6 Publication date

The publication date of these Assembly Instructions and User Manual is 01.06.2022.

2. Product information

2.1 Intended use

- ClimTec® is a load class 3 scaffold (200 kg/m² platform surface area). The maximum permitted load per platform is 180 kg if that load is evenly distributed. This allows for a maximum of two persons with this combined weight.
- Maximum horizontal force for platforms: 30 kg

! WARNING Do not exceed the maximum weight on the ClimTec®. Doing so can cause the scaffold tower to collapse and can give rise to a risk of serious or fatal injury !

- Personnel must only ever work on one working platform at a time.
- The tower's maximum standing height is 5 metres when used in closed indoor spaces and when used outdoors.
- ClimTec® must only be erected on level ground with adequate load-bearing capacity.
- The tower's vertical and horizontal alignment has to be checked with a spirit level.
- The maximum permissible tilt is 1%. Scaffold towers that are not height-adjustable have to be levelled by placing break-proof and non-slip materials underneath the feet.

Before use, always make sure that all of the required safety precautions have been taken and that the ClimTec® has been set up properly and as described in the Assembly Instructions and User Manual. Where required, the ClimTec® may have to be protected from tipping over using ballast and/or outriggers.

2.2 Improper use

The ClimTec® must only be used for the intended purpose specified under section 2.1. In addition to the above, improper use also comprises the following:

- Creating a bridge between the ClimTec® and a building or another structure.
- Combining several ClimTec®s to create a single large working platform or a support structure.
- Using the scaffold tower as a stair tower for ascending buildings.
- Attaching and using lifting devices.
- Using the ClimTec® as an attachment point for personal fall protection.
- Using the ClimTec® as side protection, e.g. at edges that present fall hazards.

3. Safety instructions

3.1 Applicable regulations

The ClimTec®'s assembly, disassembly, stability and use is governed by the regulations of EN 1004-1.

3.2 Safety instructions for assembly and use

- The site on which the ClimTec® is to be assembled, reconfigured or disassembled has to be checked for potential hazards before commencing that work. These hazards have to be removed, avoided or minimised.
- Potential hazards include: unstable ground, slopes, barriers, weather conditions, electrical hazards, high winds generated by tunnel effects when working in open buildings or the corner of buildings.
- The scaffold tower must only be assembled, disassembled and used by persons who are familiar with this manual.
- Practical training in the use of this tower is not a substitute for reading these Assembly Instructions and User Manual.
- Assembling and disassembling the ClimTec® requires at least 2 persons.
- The ClimTec® must only be erected and used on even and stable ground capable of bearing its weight.
- Only ever use undamaged original parts from KRAUSE for the ClimTec®.
- The castors must be locked by pressing down the brake levers and all tower components must be checked for correct assembly and proper working order before use.
- Personnel must only ever work on one working platform at a time. All of the sides of the platform must be fitted with comprehensive side protection including toe boards.
- The ClimTec® must only be used in winds up to force 6 (~ 45 km/h). The ClimTec® has to be dismantled or moved into a sheltered space and protected from tipping over if winds exceed force 6. Winds in excess of wind force 6 can be identified by the fact that e.g. there will be noticeable resistance walking into the wind.

! CAUTION

- It is prohibited to attach tarpaulins or netting to the ClimTec®.
 - Do not climb on the outside of the ClimTec®.
 - It is prohibited to lift or suspend the ClimTec®.
 - Placing external horizontal or vertical loads on the ClimTec® can cause it to tip over.
-

- Working platforms fitted at a height in excess of one meter have to be fitted with side protection (GuardMatic-System® + toe boards along all sides). Any intermediate platforms that are only used during assembly, disassembly and when changing the tower's configuration do not need to be fitted with toe boards on all sides.
- The ClimTec® tower has to be anchored down and protected from unauthorised access on completion of the work at the end of the day.
- Access platforms fitted at a height in excess of one metre have to be fitted with side protection without toe boards and working platforms have to be fitted with side protection with toe boards.
- Stabilisers and ballast weights, as well as outriggers and stabilisers, must be fitted as specified in these Assembly Instructions and User Manual.
- It is only permitted to carry tools and materials up the ladders. When doing so, it is vital to take into account the tools and materials' weight to ensure not to overload the platform.
- It is not permitted to use any lifting devices.
- Platforms fitted at a height in excess of one metre must only be accessed and exited through the hatch.
- Do not create bridges between ClimTec® and any buildings with planks or similar materials. ClimTec® must not be used as a means to climb onto other structures.

3.3 Safety instructions for moving the ClimTec®

- The ClimTec® must only be used in winds up to force 6 (=; ~ 45 km/h).
- Make sure that all of the required safety precautions for preventing the ClimTec® from accidentally rolling away have been taken before use such as locking the brakes on the castors.

! CAUTION When moving the scaffold, make sure there are no overhead/power lines nearby !

- Do not move the ClimTec® if there are any materials or persons on it.
- The ClimTec® must only be moved by hand and on a solid, level surface that is free from any obstacles. Maximum slope of 1%.
- The ClimTec® must not be moved with the aid of vehicles of any kind.
- The tower must not be moved at a pace faster than normal walking speed.
- The tower must only be moved longitudinally or diagonally.
- The surface on which the ClimTec® is being moved has to be capable of bearing its weight.
- Once the ClimTec® has been moved to its new position, it has to be ensured that it is level and, if necessary, adjusted accordingly.

3.4 Inspection to be performed after moving ClimTec® or changing its configuration

The following points must always be checked before every use of the ClimTec®

- The ClimTec® has to be vertical. If necessary, it has to be adjusted accordingly.
- All of the ClimTec®'s component must be fitted as set out in the Assembly Instructions and User Manual.
- The ballast weights and outriggers must be fitted as specified in these Assembly Instructions and User Manual.
- There must not be any changes in the environment that could make use of the ClimTec® hazardous.

4. Assembly

4.1 General

The ClimTec® must only be assembled once the assembly personnel have read the product information (section 2) and safety instructions (section 3) in full. Assembling and disassembling the ClimTec® requires at least 2 persons. Before assembly, make sure that you have all of the components and tools required for assembly on hand and that none of them are damaged. Only use original KRAUSE parts..

Important INFORMATION

- These Assembly Instructions and User Manual have to be available to personnel at the ClimTec®'s site of use.
- The ClimTec® must only be used as set out in these Assembly Instructions and User Manual and without making any modifications.
- The Assembly Instructions and User Manual describe how to assemble the ClimTec® in a number of different configurations. Please read the entire assembly instructions before assembly and take note of the differences between the different assembly options.

The assembly instructions are divided into the following sections:

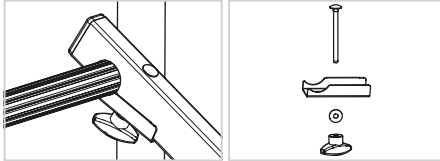
- | | |
|--|---|
| 4.2 Assembling the basic scaffold | 4.6 Attaching ballast |
| 4.3 Basic scaffold with 1 extra platform, 5 metre working height | 4.7 Attaching outriggers |
| 4.4 Basic scaffold with 1 and 2 extra platform(s),
7 metre working height | 4.8 Attaching the ClimTec® to a wall |
| 4.5 Ladder positions | 4.9 Labelling after assembly |
| | 4.10 Accessories: Castors, set, Ø 125 mm,
Castors, set, Ø 150 mm,
height adjustable |

SAFETY INFORMATION

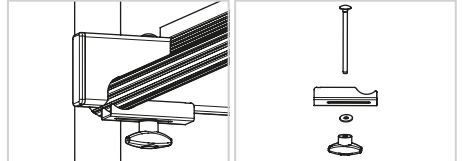
All of the rails, braces, diagonal braces and platforms have to be secured with locking bolts.

Tip for assembling the tower: Fit the locking bolts to the horizontal braces, diagonals and platforms before assembling the tower!

Locking bolts, M5 x 65



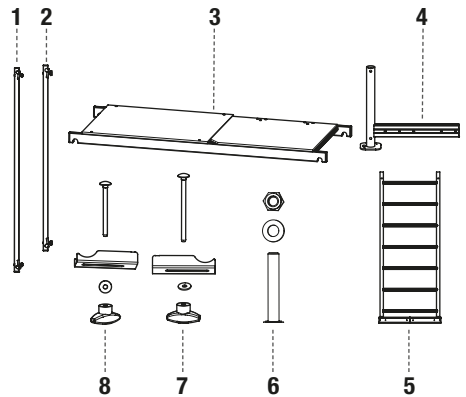
Locking bolts, M5 x 85 Platform



4.2 Assembling the basic scaffold

Art.-No. 710116C0 (BG 2101)

Pos.	Name	Art.-No.	Quantity
1	Diagonal brace, approx. 1.89 m	712707	1
2	Horizontal brace, approx. 1.59 m	712806	1
3	Platform	711007	1
4	Adjustable stabiliser	714008	4
5	Base frames	715067	2
6	Screws for stabiliser M8 x 50 mm	718891	8
7	Locking bolts M5 x 85 mm	718877	2
8	Locking bolts M5 x 65 mm	718860	4



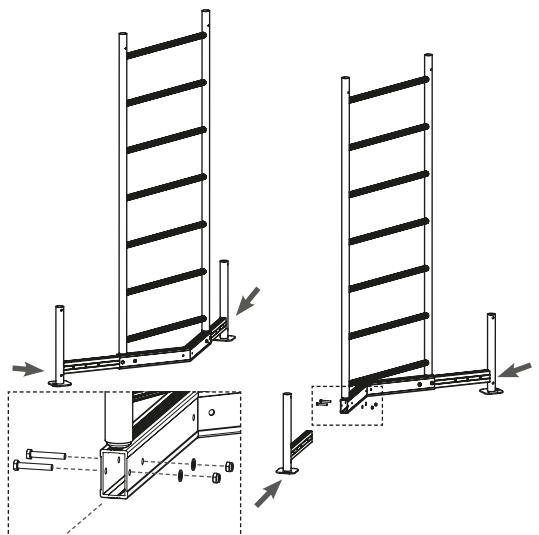
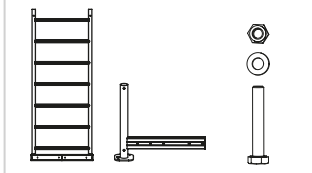
Assembling the basic frame

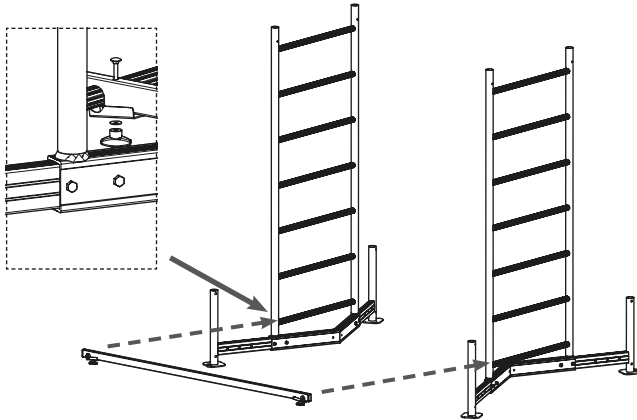
1.

- Push the stabilisers into the base frames.
- Secure the stabilisers with two sets of M8 x 50 mm screws each.

Always use the maximum stabilisers width!

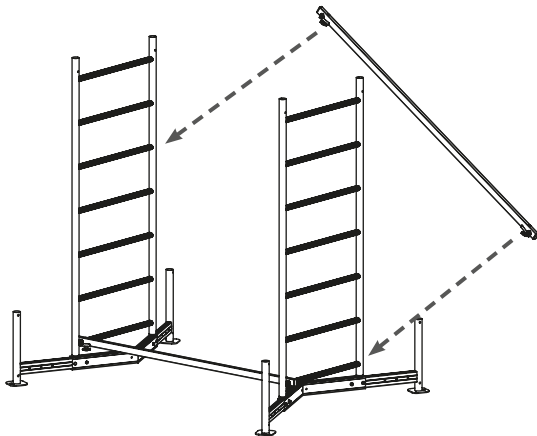
2 x Art.-No. 715067
4 x Art.-No. 714008
8 x Art.-No. 718891




2.

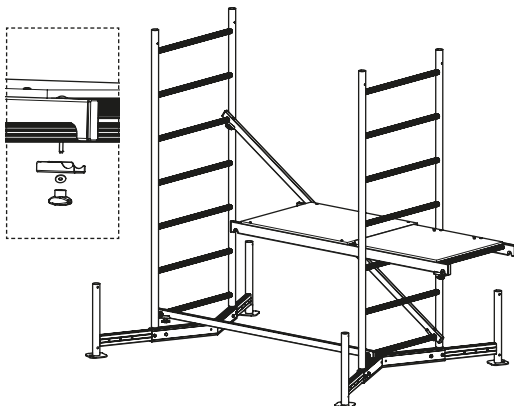
- Attach the horizontal brace to the base frames.

1 x Art.-No. 712806


3.

- Attach the diagonal brace to the bottom rung on one base frame and to the fifth rung on the other.

1 x Art.-No. 712707


4.

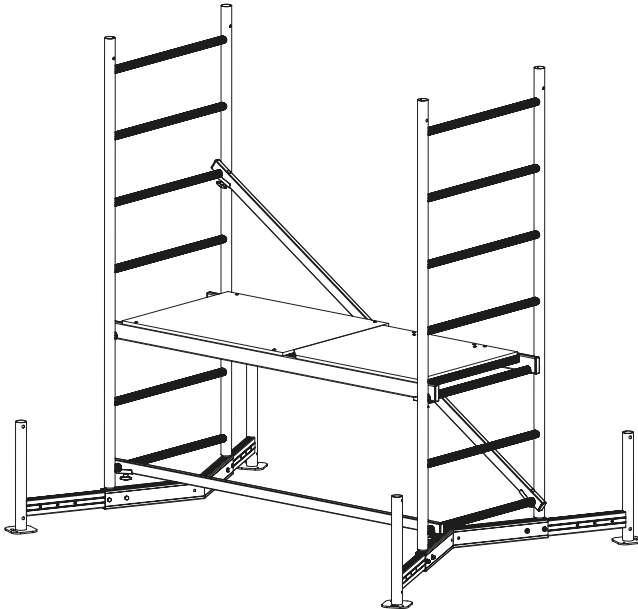
- Fasten the platform to the third rungs on the base frames.
- Lock the platform into place with the locking bolts.

1 x Art.-No. 711007



The ready assembled basic scaffold tower

- Start by sitting down on the platform and then stand up on it.



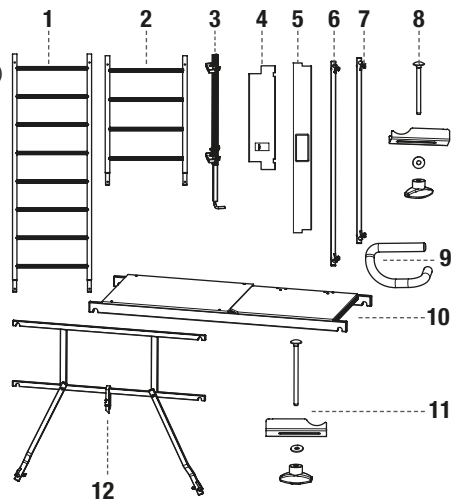
! The platform must never be higher than 1 metre, including if the tower is fitted with castors (optional accessory)!

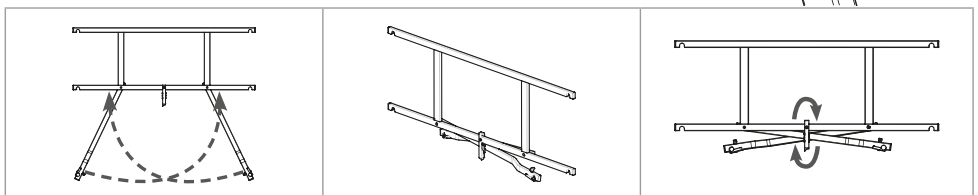
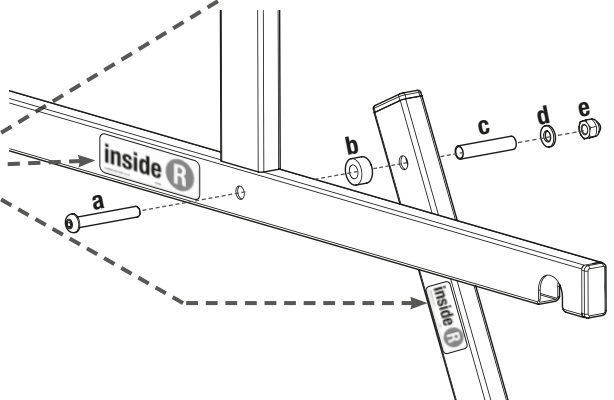
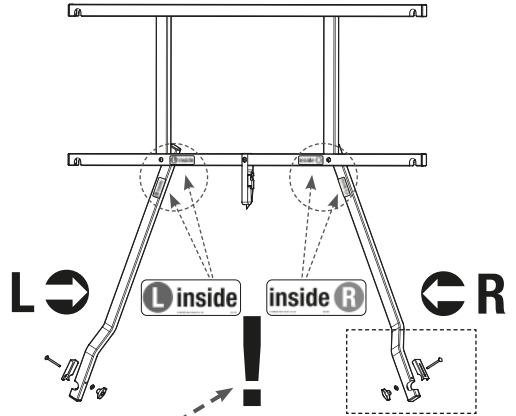
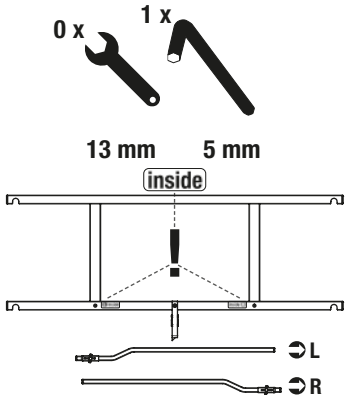
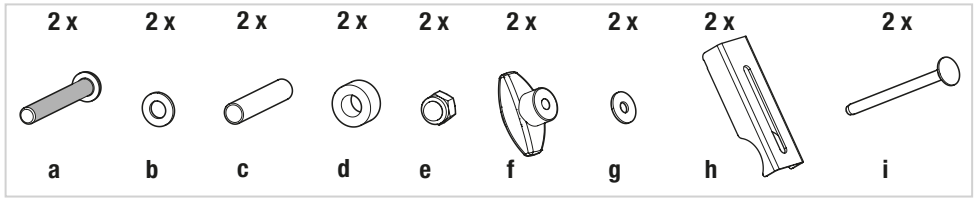
4.3 Basic scaffold with 1 extra level, 5 metre working height

Art.-No. 710116C0 + Art.-No. 710123C1 (710123B1) (BG 2101 + BG 2102)

Art.-No. 710123C1

Pos.	Name	Art.-No.	Quantity
1	Vertical section 2.00 x 0.65 m	715012	1
2	Vertical section 1.00 x 0.65 m	715029	2
3	Stabiliser	714305	1
4	Side board	713506	2
5	Front / back board	713001	2
6	Diagonal brace, approx. 1.89 m	712707	2
7	Horizontal brace, approx. 1.59 m	712806	1
8	Locking bolts M5 x 65 mm	718860	12
9	Locking pin, Ø 8 mm	714411	7
10	Platform	711007	1
11	Locking bolts M5 x 85 mm	718877	2
12	GuardMatic-System®	710673	2



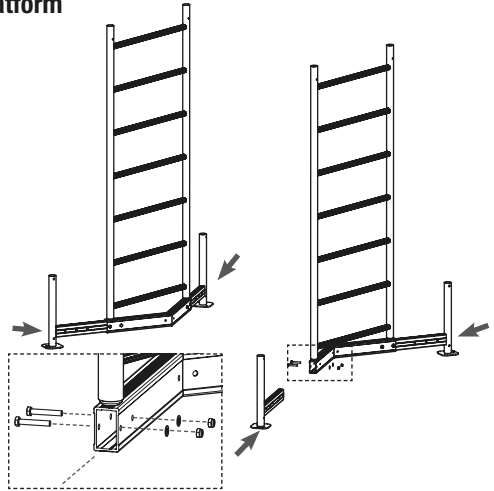
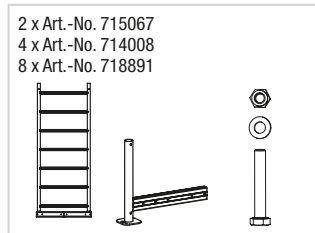
Assembling the GuardMatic-System® (2 units) Art.-No. 710673


Assembling the basic frame with 1 extra platform

1.

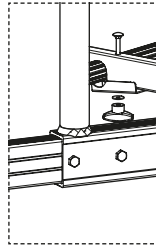
- Push the stabilisers into the base frames.
- Secure the stabilisers with two sets of M8 x 50 mm screws each.

Always use the maximum stabilisers width!

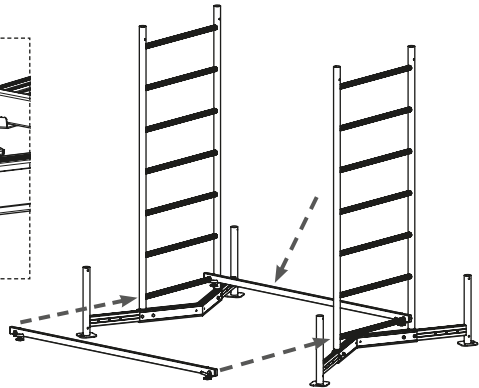


2.

- Attach the two horizontal braces to the base frames.



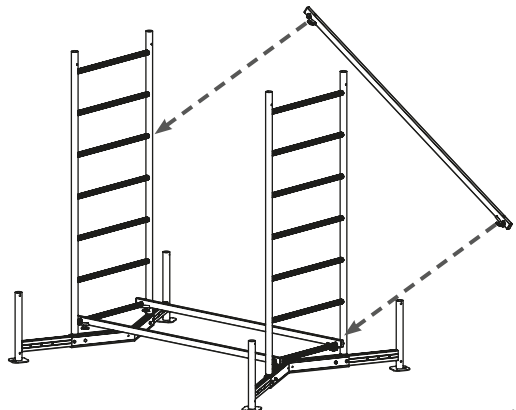
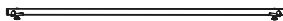
2 x Art.-No. 712806

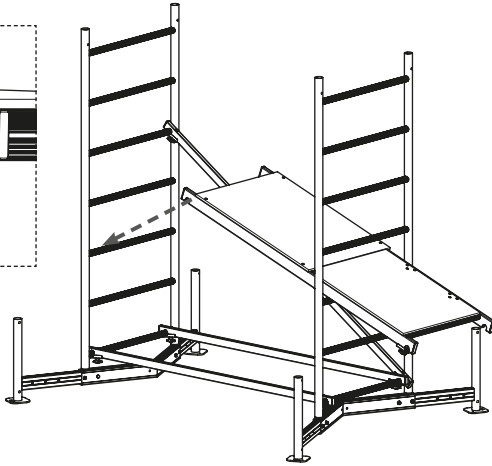
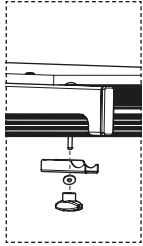


3.

- Attach the diagonal brace to the bottom rung on one base frame and to the fifth rung on the other.

1 x Art.-No. 712707





4.

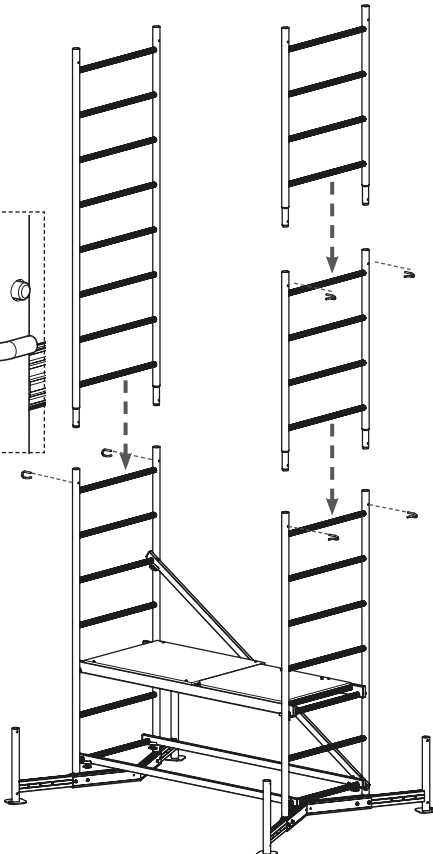
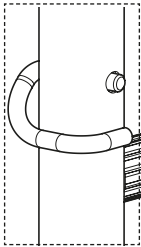
- Fasten the platform to the third rungs on the base frames.
- Lock the platform into place with the locking bolts.

1 x Art.-No. 711007

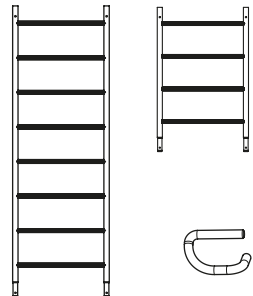


5.

- Attach the two 1.0 m vertical frames to one another and lock them with the locking pins.
- Attach these frames and the 2.0 m vertical frame to the base frames.
- Lock them with the locking pins.

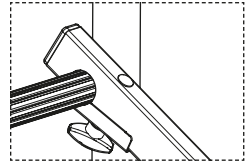
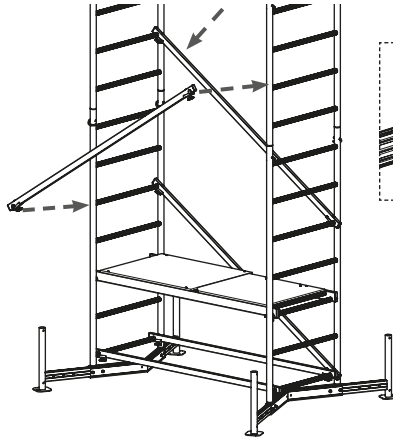


1 x Art.-No. 715012
 2 x Art.-No. 714029
 6 x Art.-No. 714411



6.

- Attach the diagonal braces to the fifth and ninth rungs on the frames.



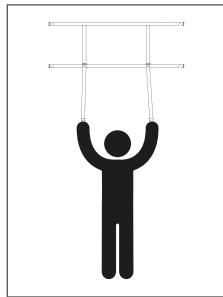
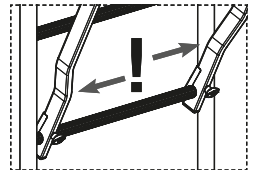
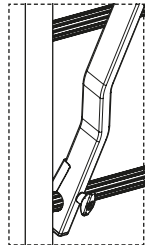
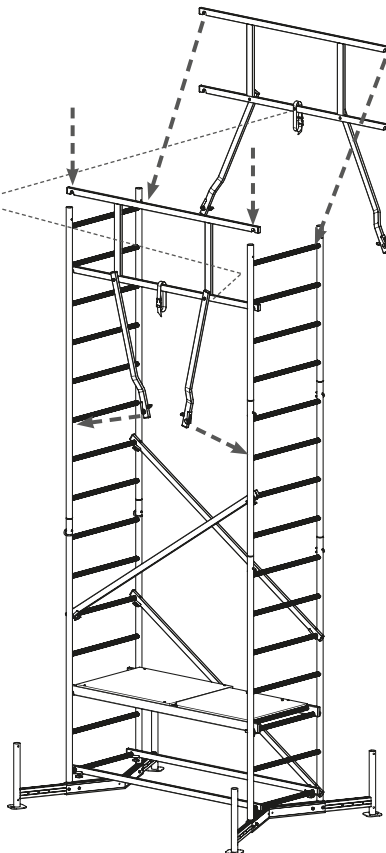
2 x Art.-No. 712707



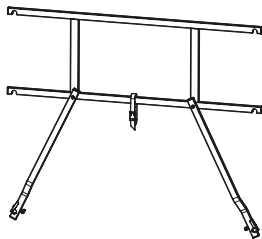
7.

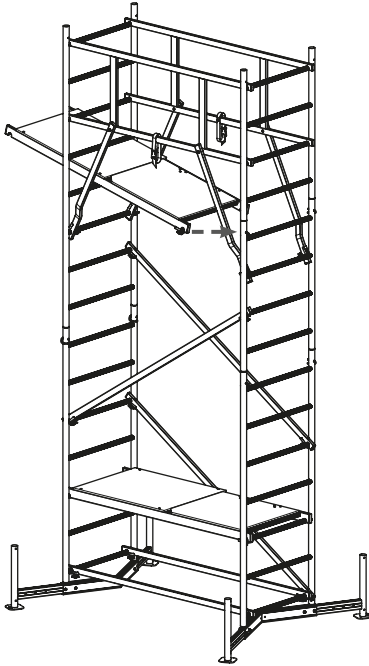
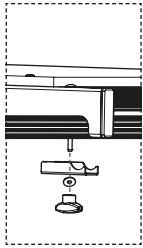
- Take hold of the GuardMatic-System's® movable diagonal braces.
- Attach the GuardMatic-System® to the top rungs.
- Secure the moveable diagonal braces on the rungs with the locking bolts.

inside



2 x Art.-No. 710673





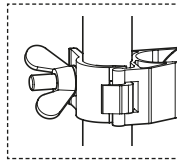
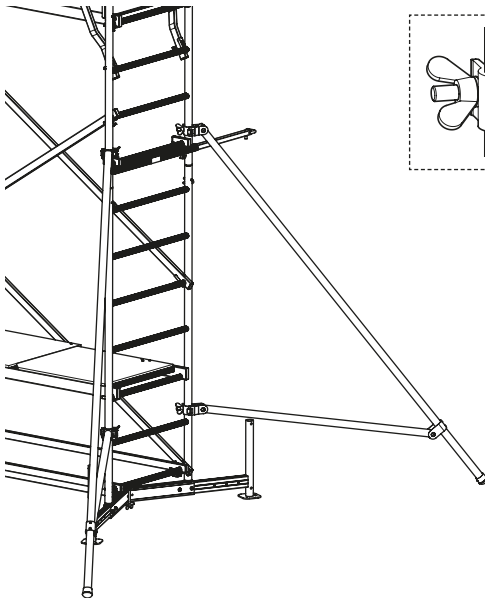
8.

- Fasten the platform to the fifth rungs from the top.
- Lock the platform into place with the locking bolts.

1 x Art.-No. 711007

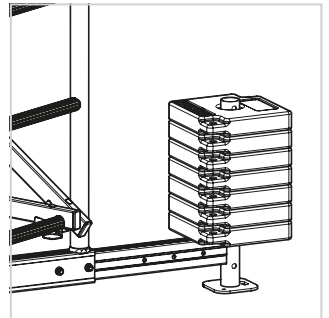


1 x Art.-No. 714039



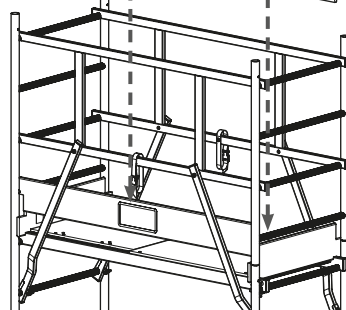
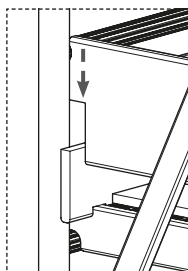
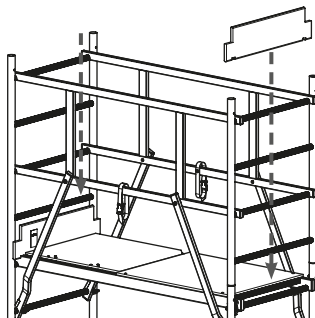
9.

- Attach the four outriggers or the required number of ballast weights.
- **Please take note of the information on pages 60–63!**

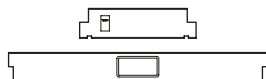


10.

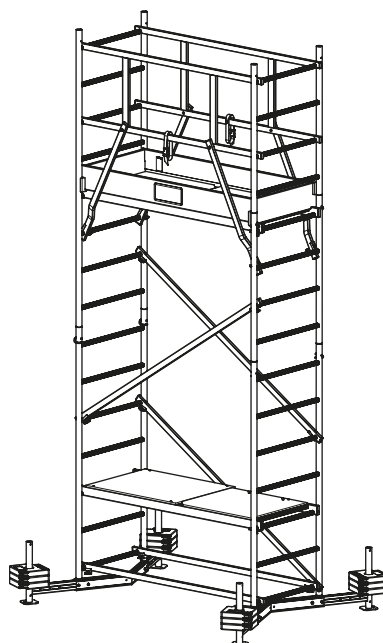
- Attach the side boards to the ends of the platform.
- Insert the front/back boards on the inside of the vertical frames so that they come to rest on the side boards.



2 x Art.-No. 713506 2 x Art.-No. 713001



ClimTec® with one extra level and 12 ballast weights

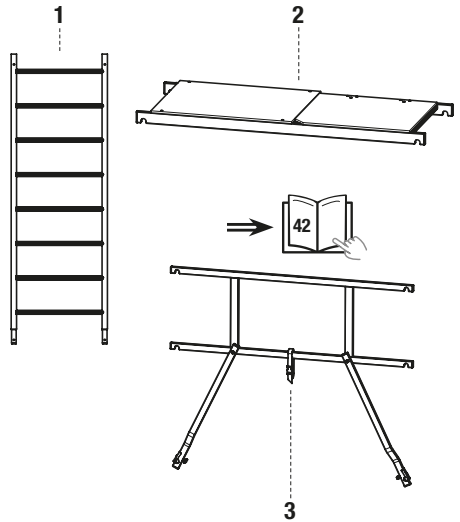
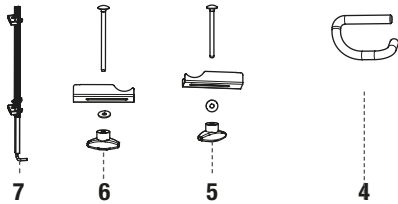


4.4 Basic scaffold with 1 and 2 extra platform(s), 7 metre working height

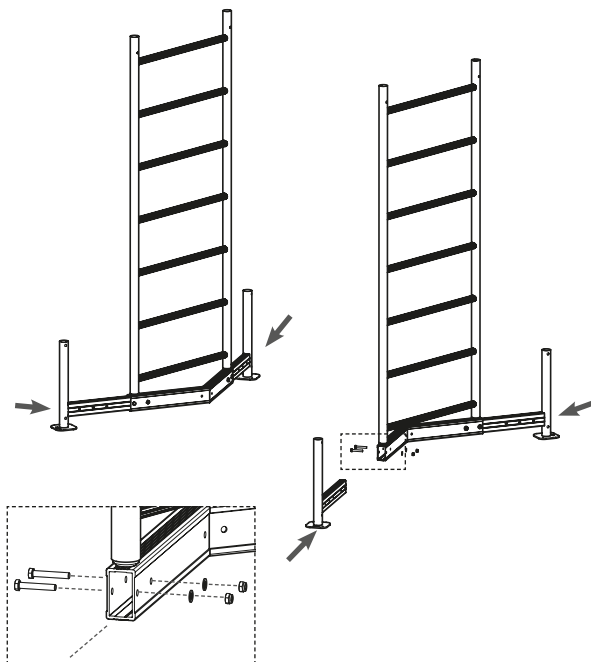
Art.-No. 710116C0 + Art.-No. 710123C1 (710123B1) + Art.-No. 710703 (BG 2101 + BG 2102 + BG 2103)

Art.-No. 710703

Pos.	Name	Art.-No.	Quantity
1	Vertical section 2.00 x 0.65 m	715012	2
2	Platform with hatch	711007	1
3	GuardMatic-System®	710673	2
4	Locking pin, Ø 8 mm	714411	5
5	Locking bolts M5 x 65 mm	718860	6
6	Locking bolts M5 x 85 mm	718877	2
7	Stabiliser	714305	1



Assembling the basic scaffold with 1 and 2 extra platform(s)

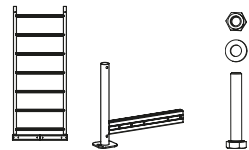


1.

- Push the stabilisers into the base frames.
- Secure the stabilisers with two sets of M8 x 50 mm screws each

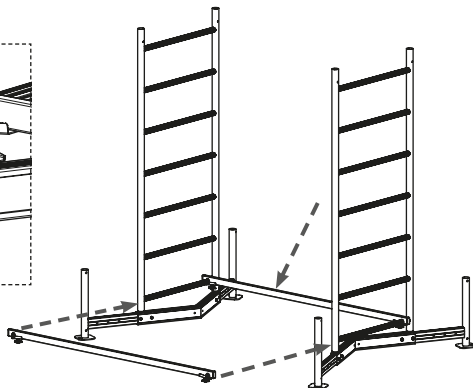
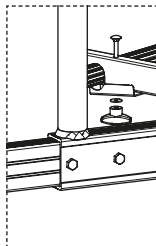
Always use the maximum stabilisers width!

2 x Art.-No. 715067
4 x Art.-No. 714008
8 x Art.-No. 718891



2.

- Connect two horizontal braces to the base frames.

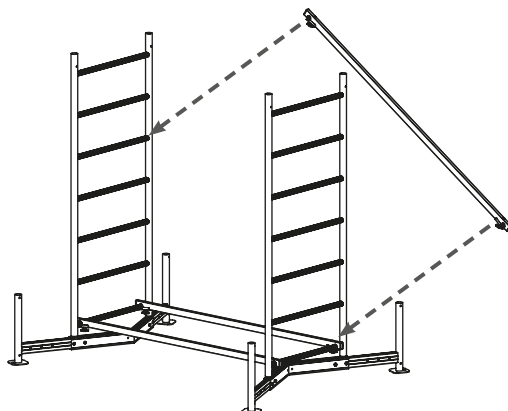


2 x Art.-No. 712806



3.

- Attach the diagonal brace to the bottom rung on one base frame and to the fifth rung on the other.

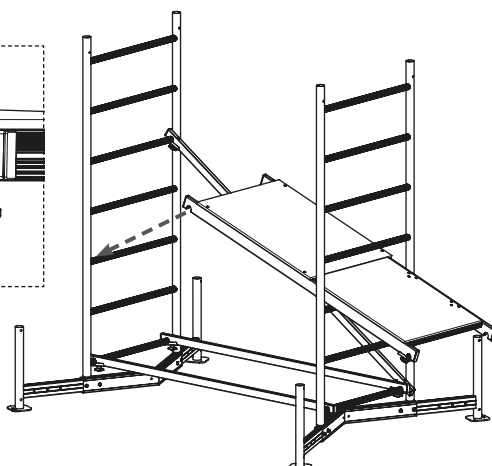
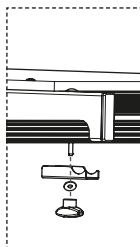


1 x Art.-No. 712707



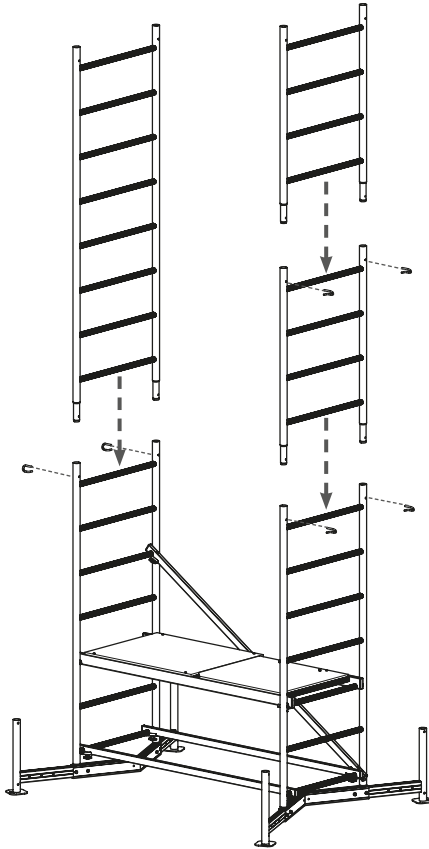
4.

- Fasten the platform to the third rungs on the base frames.
- Lock the platform into place with the locking bolts.



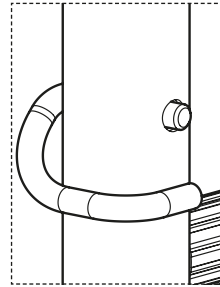
1 x Art.-No. 711007



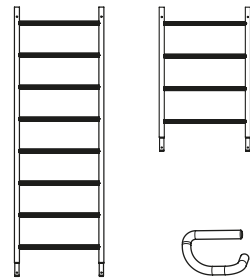


5.

- Attach the two 1.0 m vertical frames to one another and lock them with the locking pins.
- Attach these frames and the 2.0 m vertical frame to the base frame.
- Lock them with the locking pins.

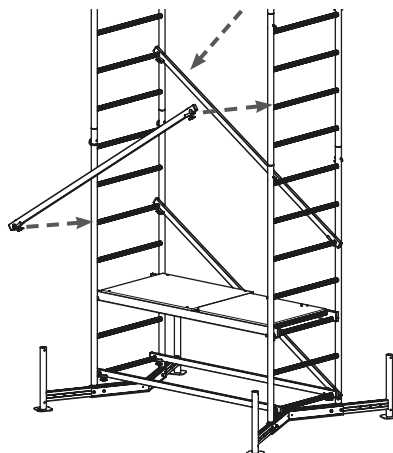
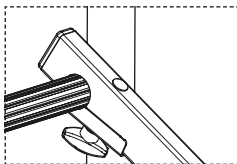


1 x Art.-No. 715012
 2 x Art.-No. 714029
 6 x Art.-No. 714411



6.

- Attach the diagonal braces to the fifth and ninth rungs on the frames.

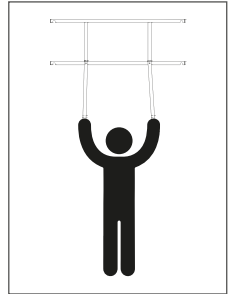


2 x Art.-No. 712707



7.

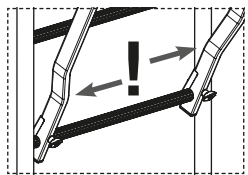
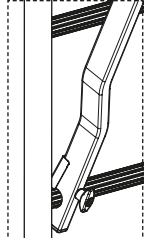
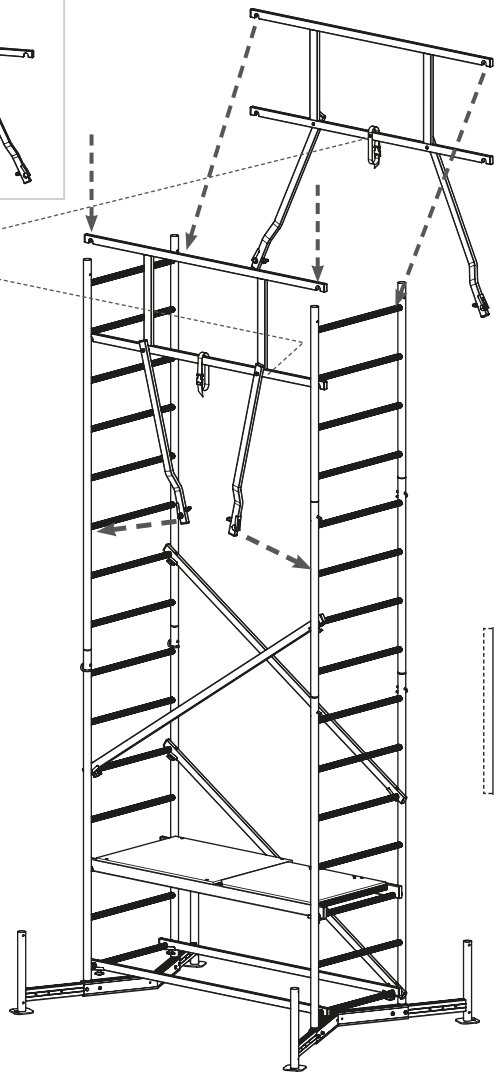
- Take hold of the GuardMatic-System's® movable diagonal braces.
- Attach the GuardMatic-System® to the top rungs.
- Secure the moveable diagonal braces on the rungs with the locking bolts.

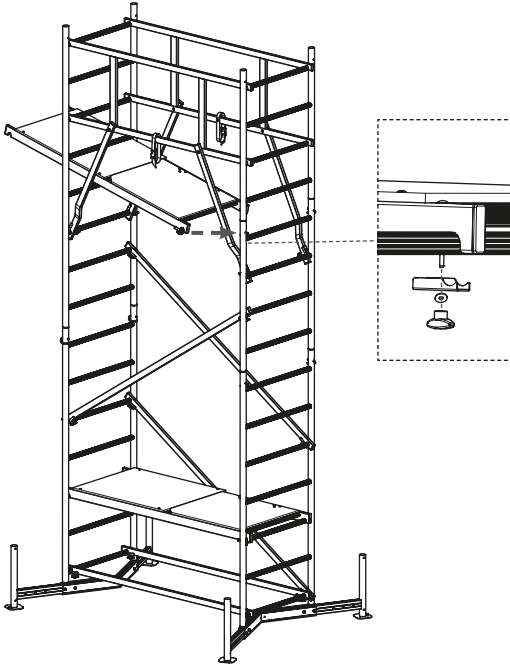


2 x Art.-No. 710673



inside





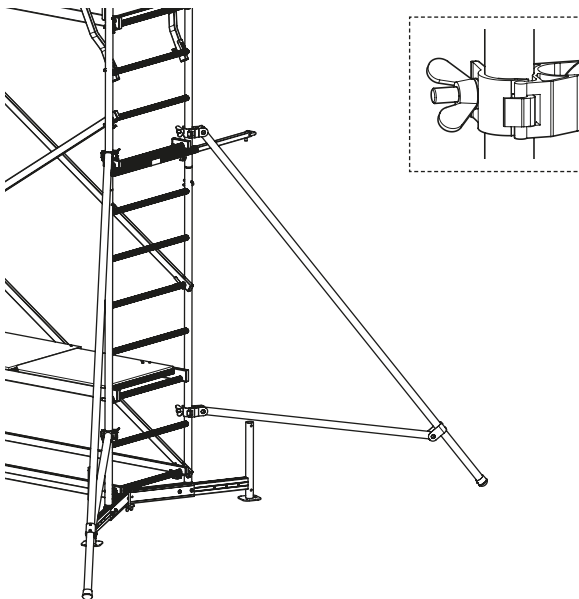
8.

- Fasten the platform to the fifth rungs from the top.
- Lock the platform into place with the locking bolts.

1 x Art.-No. 711007

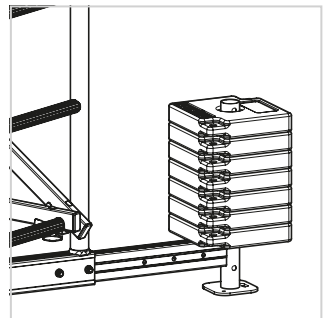


1 x Art.-No. 714039



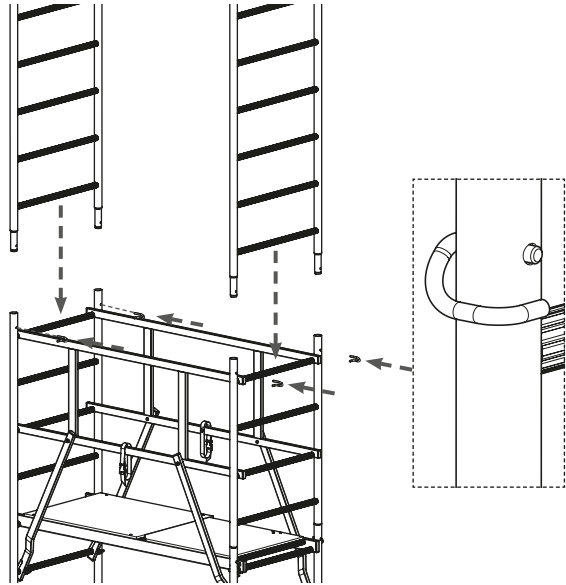
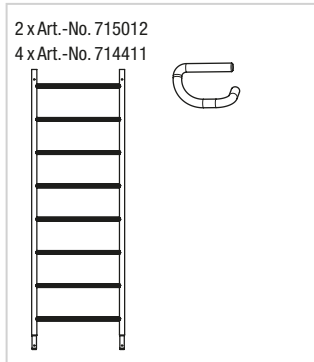
9.

- Attach the four outriggers or the required number of ballast weights.
- **Please take note of the information on pages 60–63!**



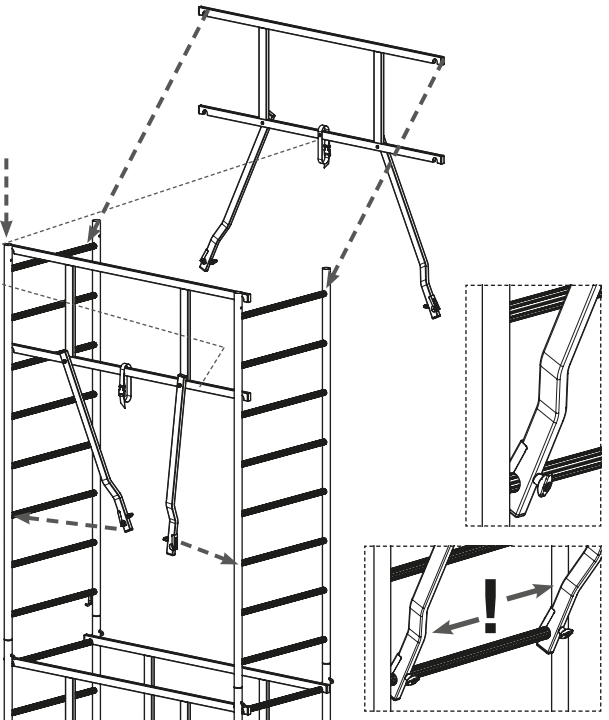
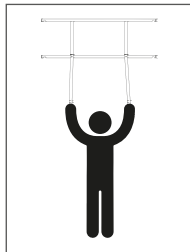
10.

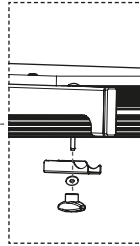
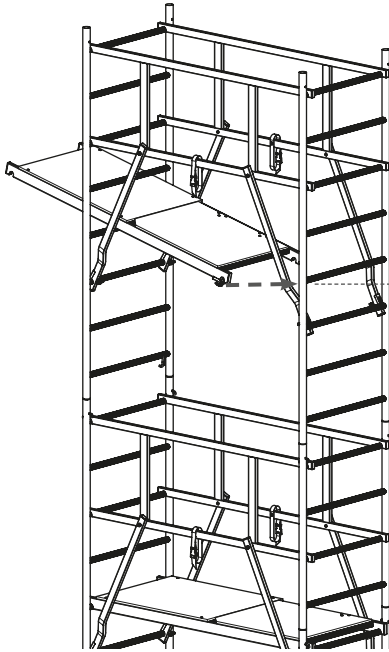
- Climb onto the platform through the hatch.
- Attach the 2.0 m vertical frame.
- Lock the connections with the locking pins.



11.

- Take hold of the GuardMatic-System®'s movable diagonal braces.
- Attach the GuardMatic-System® to the top rungs.
- Secure the moveable diagonal braces on the rungs with the locking bolts.

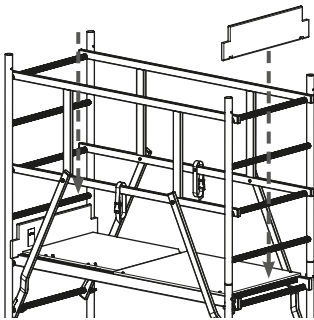




12.

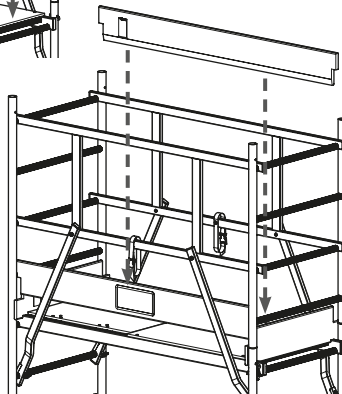
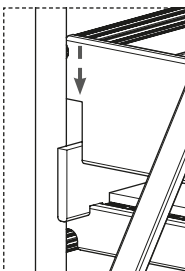
- Fasten the platform to the fifth rungs from the top.
- Lock the platform into place with the locking bolts.

1 x Art.-No. 711007



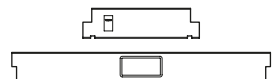
13.

- Attach the side boards to the ends of the platform.
- Insert the front/back boards on the inside of the vertical frames so that they come to rest on the side boards.

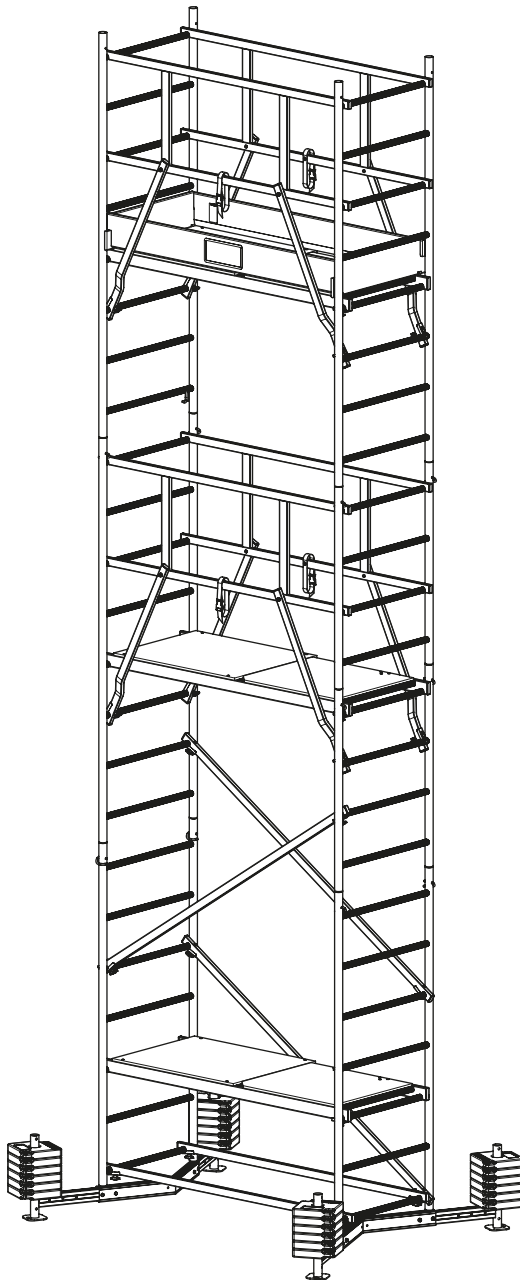


2 x Art.-No. 713506

2 x Art.-No. 713001



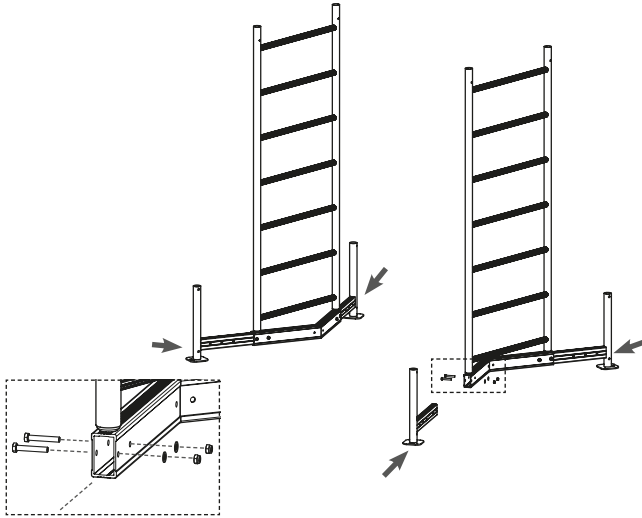
ClimTec® with one and two extra platforms and 24 ballast weights for indoor use



4.5 Setting up the ClimTec® on stairs

Use on stairs with a 500 and 750 mm height difference.

What you will need: Art.-No. 710116C0 + Art.-No. 710123C1 (710123B1)

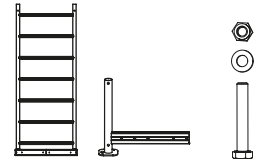


1.

- Push the stabilisers into the base frames.
- Secure the stabilisers with two sets of M8 x 50 mm screws each.

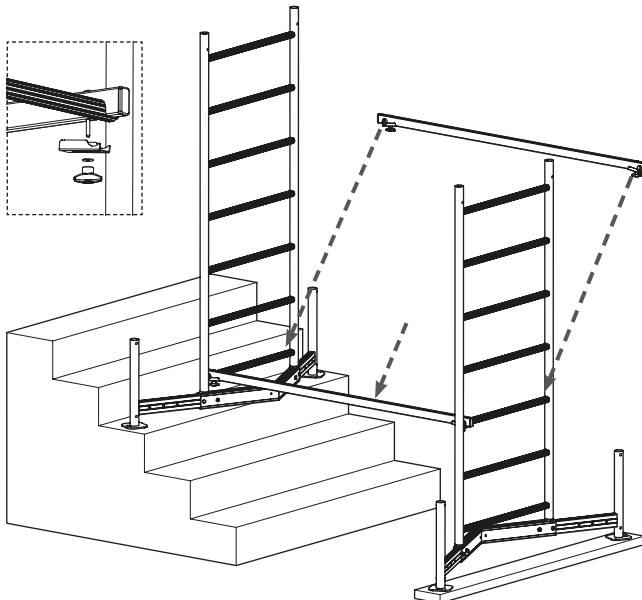
Always use the maximum stabilisers width!

2 x Art.-No. 715067
4 x Art.-No. 714008
8 x Art.-No. 718891



2. 500/750 mm height difference

- If the height difference is lesser/greater, it has to be brought up/down to exactly 500/750 mm by placing corresponding pressure-resistant objects (timber planks) under the tower.
- Attach the two horizontal braces to the bottom rung on one base frame and then to the third/fourth rung on the other.

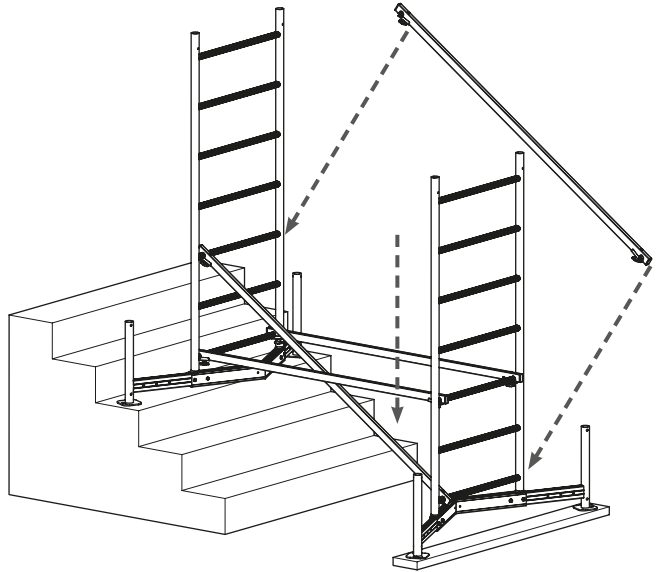


2 x Art.-No. 712806



3.

- Attach the diagonal braces to the bottom rung on the higher base frame and then to the third/second rung on the lower one.

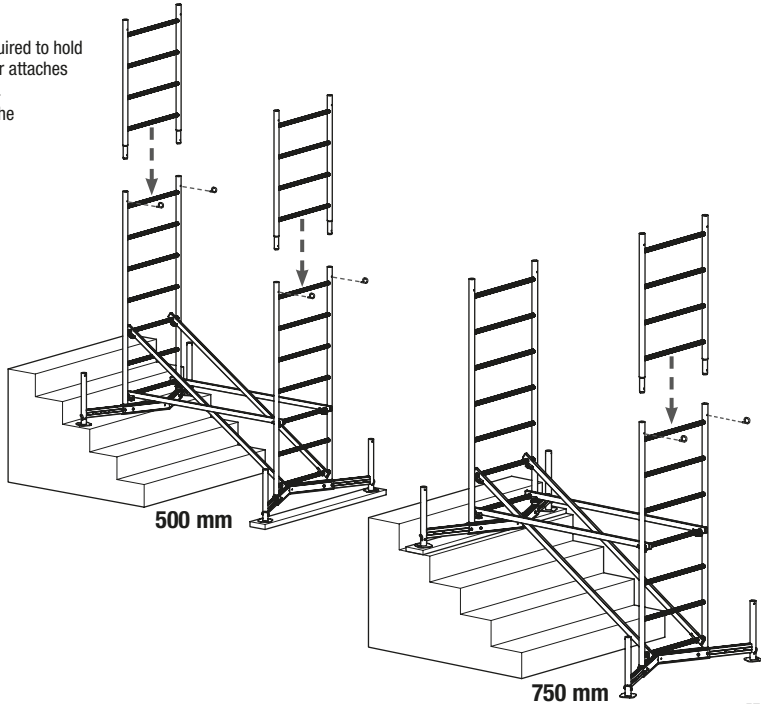


2 x Art.-No. 712707

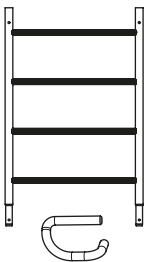


4.

- One person will now be required to hold the ClimTec® while the other attaches the 1-metre vertical frames.
- Lock the connections with the locking pins.

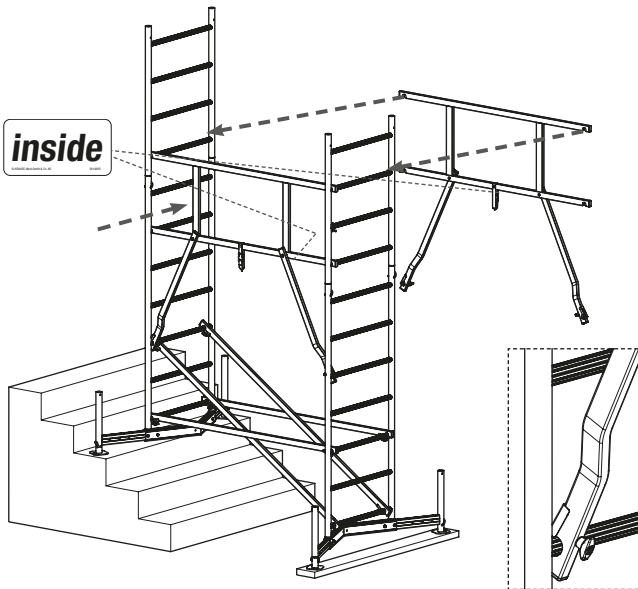


2/1 x Art.-No. 715029
4/2 x Art.-No. 714411

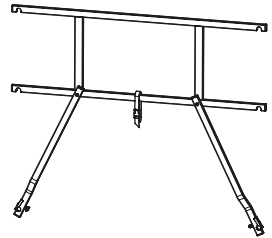


5.

- Attach the GuardMatic-System® to the second rung from the top of the lower base frame.
- Secure the moveable diagonal braces on the rungs with the locking bolts.

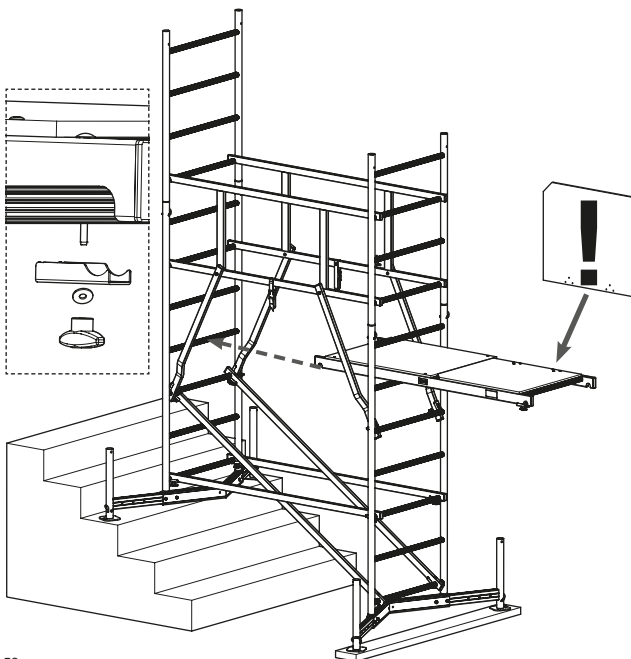


2 x Art.-No. 710673



6.

- Push the platform onto the sixth rung from the top of the lower base frame.
- Make sure that the hatch is above the lower part of the stairs.
- Lock the platform into place with the locking bolts.

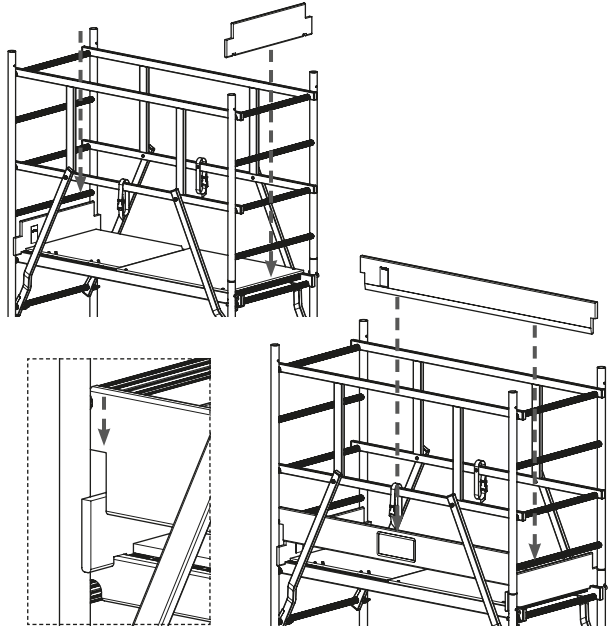


1 x Art.-No. 711007

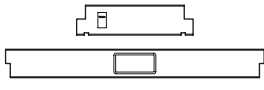


7.

- Attach the side boards to the ends of the platform.
- Insert the front/back boards on the inside of the vertical frames so that they come to rest on the side boards.



2 x Art.-No. 713506
2 x Art.-No. 713001

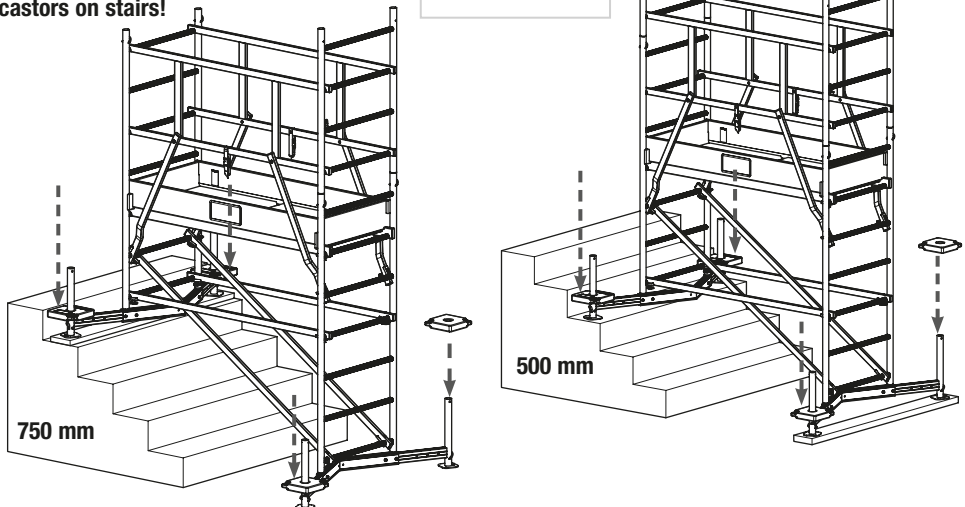


8.

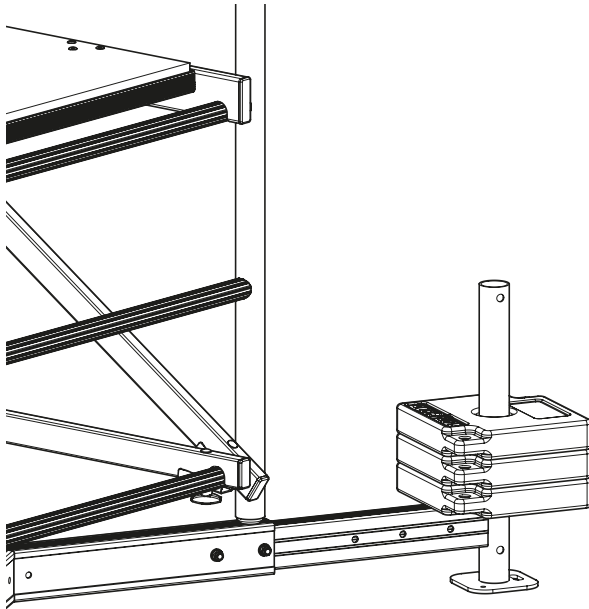
- When using the ClimTec® on stairs, attach 4 ballast weights.

Maximum standing height 1.50 m!
ClimTec® cannot be used with castors on stairs!

4 x Art.-No. 704306



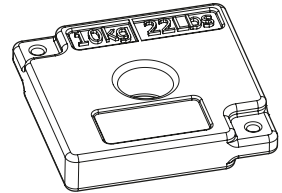
4.6 Attaching ballast to the ClimTec®



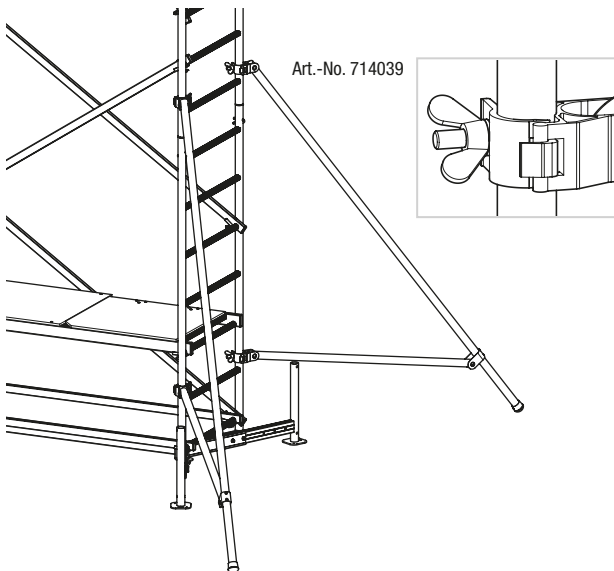
ClimTec® has to be protected from tipping over with either ballast weights (accessory) or outriggers (accessory) depending on its height. Stabilisers are not a substitute for ballast weights or outriggers.

The number of ballast weights or outriggers required are shown in the table below.

Art.-No. 704306



4.7 Fitting the outriggers (accessory)



Art.-No. 714039

The optionally available outriggers are designed to provide additional support to the ClimTec® and make it safer.

- Attach the outrigger's two clamps to the ClimTec® and tighten them.
- Position the outriggers as shown in the drawing.
- The outriggers have to fully rest on the ground.

If necessary, put break-proof supports underneath the outriggers to make sure they properly rest on the ground.

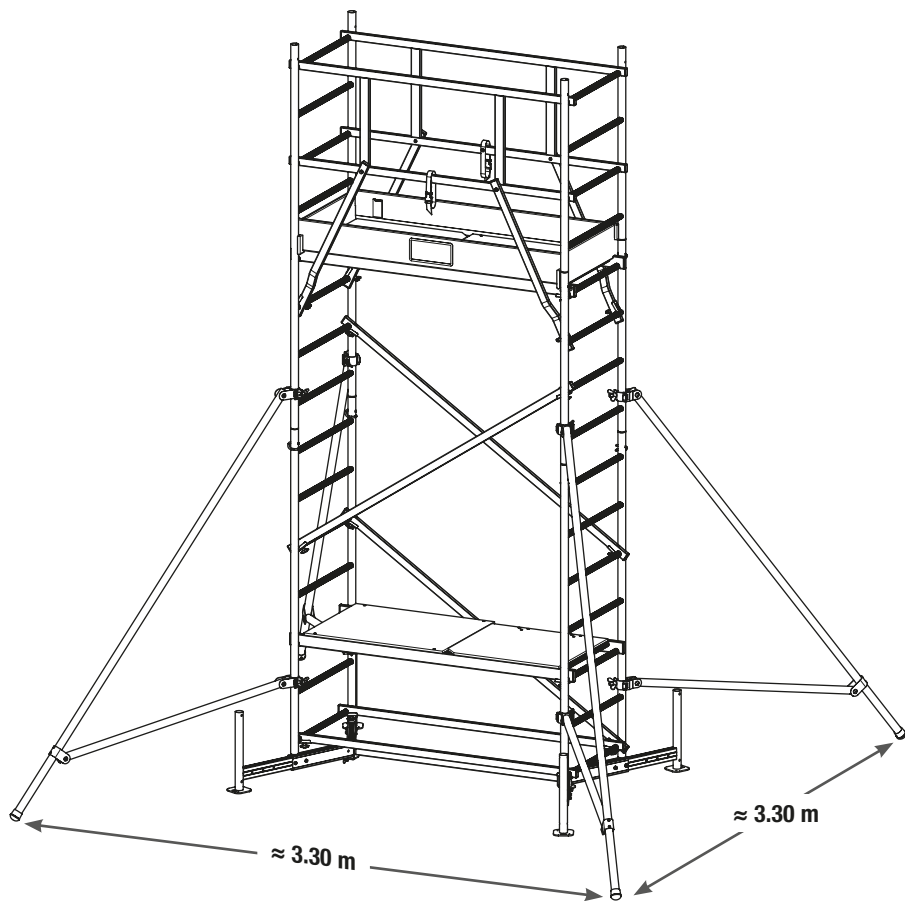


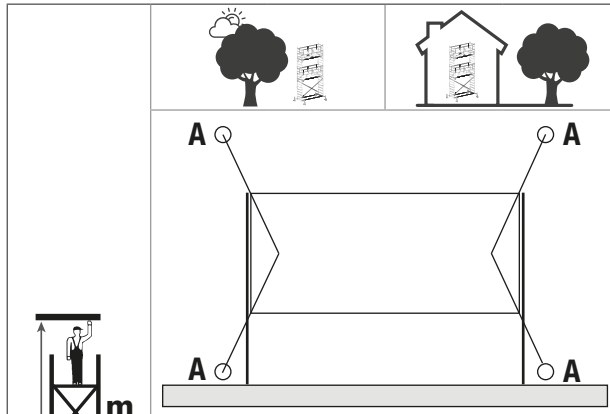
Table for ballast weight requirements when using the tower without outriggers, number of weights Art.-No. 704306

	Position A	Total	Position A	Total
	3.00	0	0	0
5.00	3	12	3	12
7.00	7	28	6	24

Table for ballast weight requirements when using the tower with outriggers, number of weights Art.-No. 704306


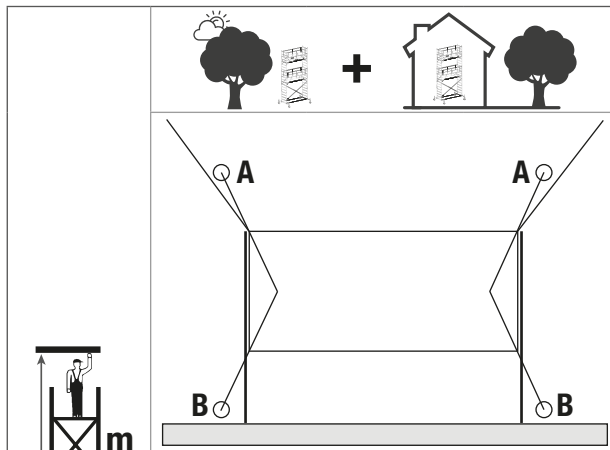
	Position A	Total	Position A	Total
	5.00	0	0	0
7.00	1	4	0	0

Table for ballast weight requirements when attaching the tower to a wall



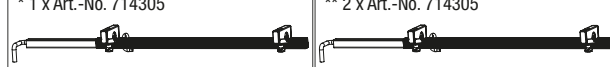
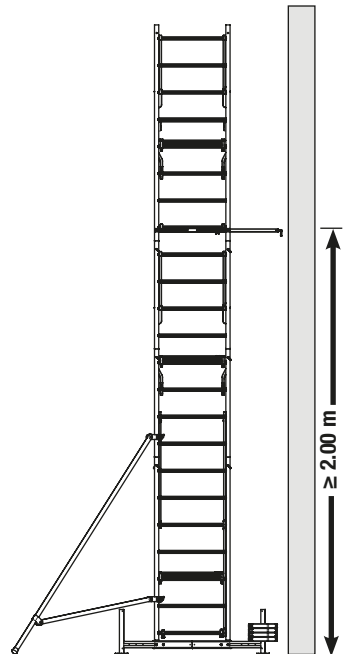
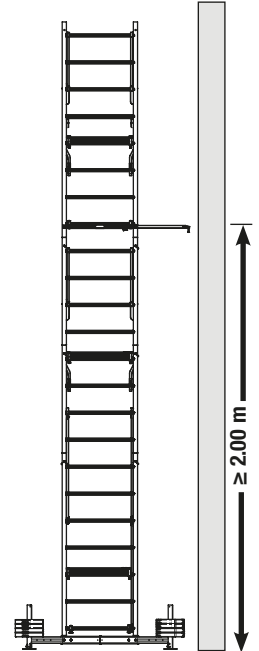
	Position A	Total	Position A	Total
5.00	2*	8*	2*	8*
7.00	4**	16**	4**	16**

* 1 x Art.-No. 714305	** 2 x Art.-No. 714305
-----------------------	------------------------

	Position A	Position B	Total
5.00	0*	2*	4*
7.00	0**	4**	8**

* 1 x Art.-No. 714305	** 2 x Art.-No. 714305
-----------------------	------------------------

4.8 Attaching the ClimTec® to a wall

When using the ClimTec® at a wall, it can be fastened to the wall with the stabilisers.

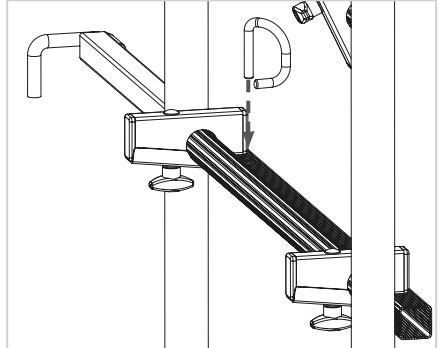
- To do so, the stabilisers have to be attached to the tower at a height of 2 metres.
- Take note of the table for ballast weight requirements when attaching the tower to a wall (63).
- Insert the hook into a ring bolt fastened to the wall.
- Secure the stabilisers with the locking bolts.
- Arrest the stabilisers' sliding bolt with a locking pin.

4.9 Labelling after assembly

Once the ClimTec® has been assembled or reconfigured, it has to be provided with a label that has to be clearly legible from the ground and feature the following minimum information:

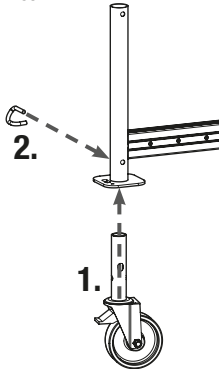
- Name and contact details of the person in charge
- Whether or not the ClimTec® is ready for use
- The load class and the evenly distributed load
- Whether the ClimTec® has been configured for indoor use only
- The date it was erected

In some countries, providing this information/label is a legal requirement!



4.10 Accessories

Castors, set, Ø 125 mm
Art.-No. 714169

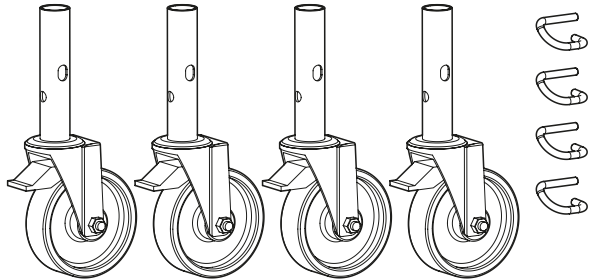


4 x Art.-No. 714107

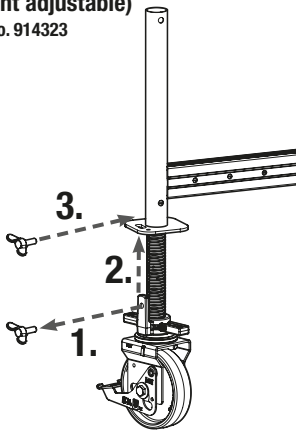
Castor Ø 125 mm

+ 4 x Art.-No. 714411

Locking pin

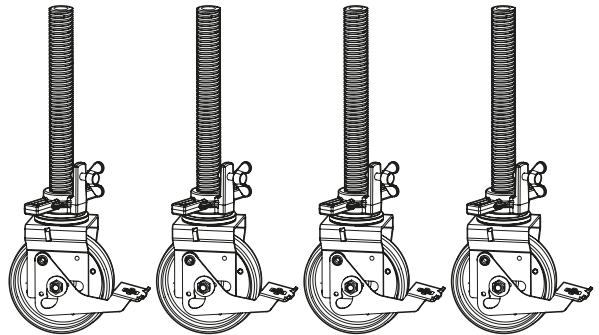


Castors, set, Ø 150 mm
(height adjustable)
Art.-No. 914323



4 x Art.-No. 914118

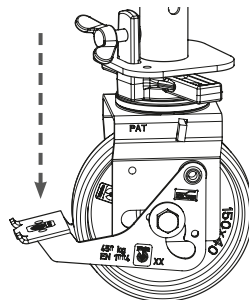
Castor Ø 150 mm
(height adjustable)



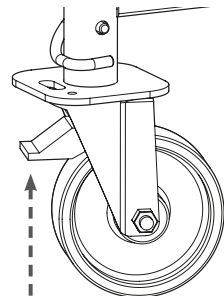
! Risk of falling !

Risk of serious and fatal injury

- All of the castors have to be locked before climbing the ClimTec®.
- Do not move the ClimTec® if there are any people on it.



Castor braked



Castor unbraked

5. Disassembling ClimTec®

ClimTec® has to be disassembled in reverse order of assembly.

6. Technical data

Article numbers and components' weight

Art.-No.	Name	Weight approx.
715067	Base frame	5.60 kg
714008	Adjustable stabiliser	1.20 kg
715012	Vertical frame 2.0 m	4.20 kg
715029	Vertical frame 1.0 m	2.20 kg
712806	Horizontal brace, approx. 1.59 m	0.80 kg
712707	Diagonal brace, approx. 1.89 m	1.00 kg
710673	GuardMatic-System®	3.20 kg
711007	Platform	9.40 kg
713001	Front/back board	1.60 kg
713506	Side board	0.60 kg
714305	Stabilisers	1.60 kg
718860	Locking bolts M5 x 65 mm	0.05 kg
718877	Locking bolts M5 x 85 mm	0.06 kg
718891	Set of screws, 3-part, hexagon screw M8 x 50	0.03 kg
714411	Locking pin	0.06 kg
Accessories		
714107	Castor Ø 125 mm	1.40 kg
714169	Set of 4 castors Ø 125 mm and 4 locking pins	6.00 kg
914118	Castor Ø 150 mm, 115 mm height adjustable	3.90 kg
914323	Set of 4 castors Ø 150 mm, 115 mm height adjustable	15.30 kg
704306	Ballast weight	10.0 kg
714039	Outrigger	3.2 kg

7. Inspection, spare parts

All of the tower's parts must be checked for damage before erecting it and any damaged parts must be replaced.

The inspection must ensure that

- Weld seams and none of the components have any cracks.
- The components are not deformed or dented.
- The castors and hatches on the platforms are in proper working order.

Only ever use original KRAUSE components and spare parts.